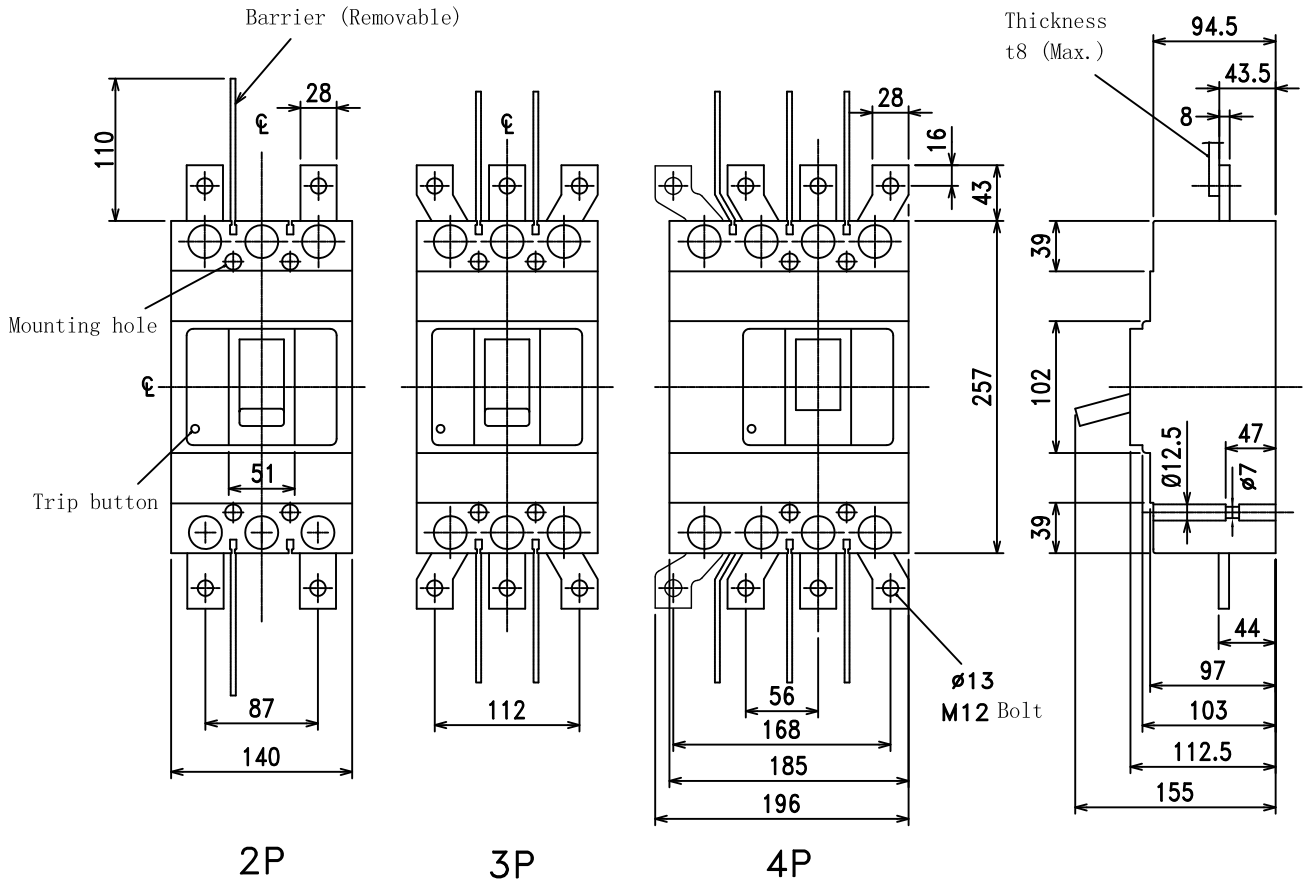
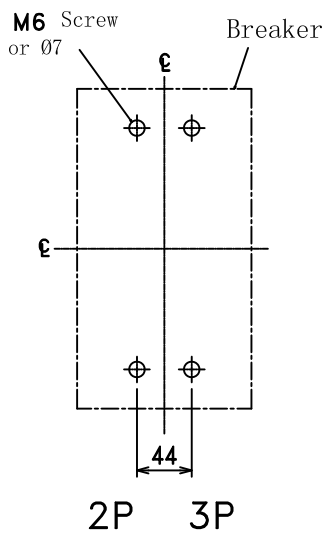


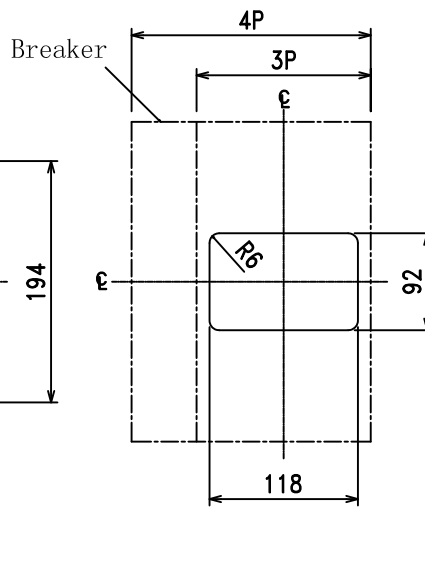
BM400-SN Dimension & Installation



Mounting



Panel cut



Thickness t8 (Max.)

