

SURGE PROTECTIVE DEVICE



Surge Protective Device

Feature

1. Suitable for AC220V/380V, 50/60Hz power system.
2. Low residual voltage and low leakage current.
3. Thermal trip/fuse function for fast response.
4. Plug-in modular design for easy installation and replacement.
5. Standard 35mm din-rail installation.
6. Status window display
7. Additional alarm switch can be added.
8. Comply with IEC61643 standard

Electrical Characteristics

1. SPD structure: Inner core part is a metal oxide varistor made with zinc oxide.
2. Rated voltage (U_n): The rated voltage of SPD device will be the same with rated voltage of the device being protected.
3. Maximum continuous operating voltage (U_c): 275VAC, U_c should be 15% greater than U_n .
4. Frequency: 50/60 Hz
5. Time: MOV \leq 25ns, NPE \leq 100ns
6. Voltage protection level (U_p): Less than rated impulse withstand voltage of the device being protected.
7. Life expectancy: It takes voltage surge 10000 times within rated discharge current
8. Operating temperature: -5°C ~ +40°C, relative humidity: 30~99%, operating altitude: 2000 meter below.

Operating Principle

1. Voltage limiting type SPD: Having high impedance when no surges occur and as the surge voltage and current increase, the impedance decrease. By using varistor and transient voltage suppressor (TVS). Leakage current is limited, with fast response time and low residual voltage.
2. Voltage switching type SPD: Having high impedance when no surges occur and become low impedance when surges occur. Use spark gap and gas discharge tube type parts. Voltage discharge capability is high.

Specification



- Class III

Model	Uoc	Uc	Up	Pole	Alarm Switch
BHP06M3	6kV	275Vac	1.0kV	2P 3P 4P	250VAC/0.1A 125VDC/0.2A 75VDC/0.5A



- Class II

Model	Type	Uc	In	I _{max}	Up	tA	Pole	Alarm Switch
BHP20M2	MOV	275Vac	10kA	20kA	1.2kV	≤25ns	1P 2P 3P 4P 1P+1* 2P+1* 3P+1*	250V 0.25A
	NPE	255Vac				≤100ns		
BHP40M2	MOV	275Vac	20kA	40kA	1.3kV	≤25ns		250V 0.25A
	NPE	255Vac			1.5kV	≤100ns		
BHP65M2	MOV	275Vac	30kA	65kA	1.5kV	≤25ns		250V 0.25A
	NPE	255Vac			1.5kV	≤100ns		
BHP80M2	MOV	275Vac	40kA	80kA	1.7kV	≤25ns		250V 0.25A
	NPE	255Vac			1.5kV	≤100ns		
BHP100M2	MOV	275Vac	60kA	100kA	2kV	≤25ns	250V 0.25A	
	NPE	255Vac			1.5kV	≤100ns		-

*Note: +1=NPE

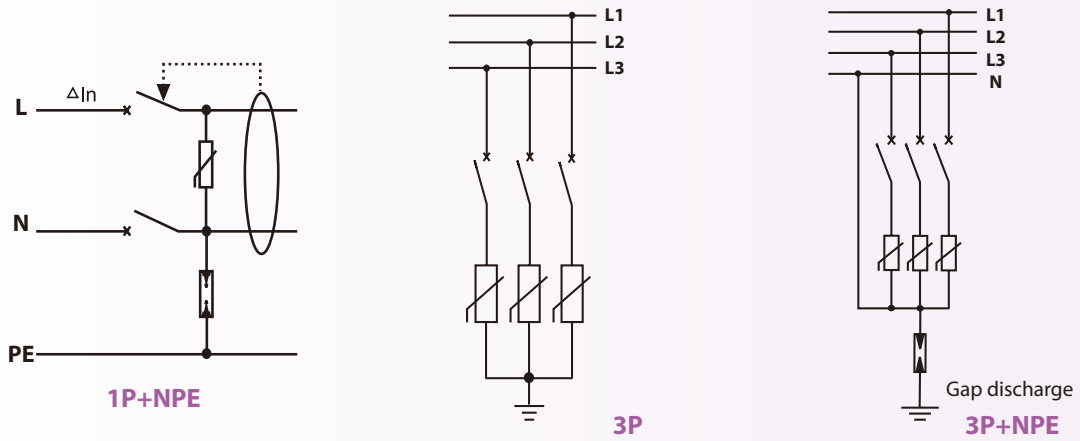


- Class I

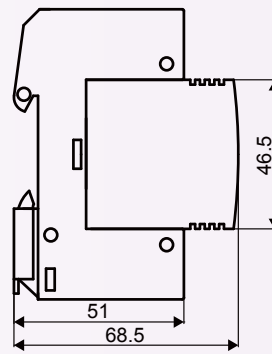
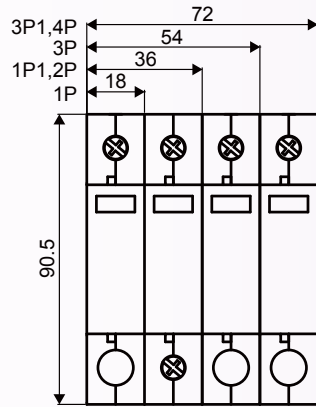
Model	Type	Uc	In	I _{imp}	Up	tA	Pole	Alarm Switch
BHP25M1	L-N	275Vac	25kA	25kA	2.5kV	≤25ns	1P 2P 3P 4P	-
	N-PE	255Vac				≤100ns		
BHP50M1	L-N	275Vac	50kA	50kA	2.5kV	≤25ns	1P+1* 2P+1* 3P+1*	250V 0.25A
	N-PE	255Vac		100kA	2.2kV	≤100ns		

*Note: +1=NPE

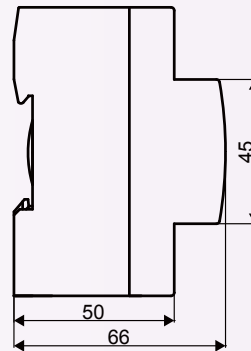
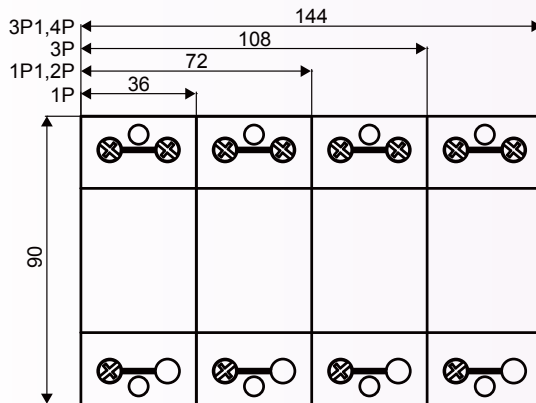
Wiring Diagrams



Dimensions (mm)



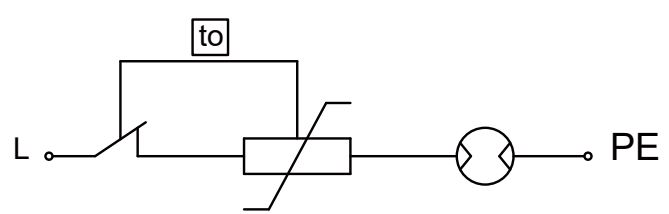
BHP06M3 / BHP20M2 / BHP40M2 / BHP65M2 / BHP80M2



BHP25M1 / BHP50M1 / BHP100M2

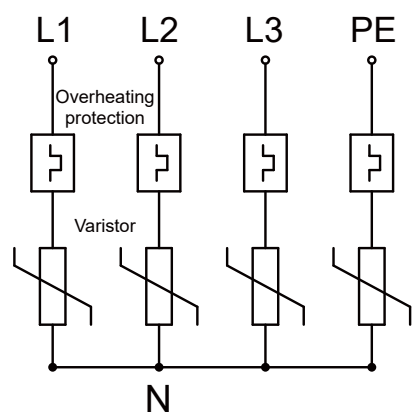
Wiring Example

Discharge tube in series MOV:

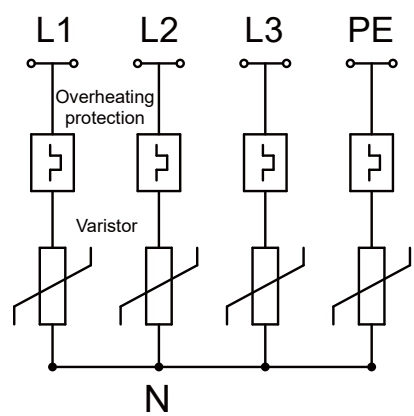


BHP06M3

MOV

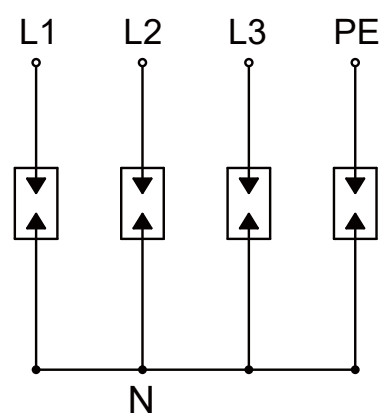


**BHP20M2 / BHP40M2
BHP65M2 / BHP80M2
(3P+NPE)**



**BHP100M2
(3P+NPE)**

Spark gap



**BHP25M1 / BHP50M1
(3P+NPE)**

SHIHLIN ELECTRIC & ENGINEERING

MOTOR CONTROL (CONTACTOR/ MS/ MMS), CIRCUIT BREAKER (MCCB/ ELCB/ EMCCB/ MCB), AIR CIRCUIT BREAKER, AUTOMATIC TRANSFER SWITCHES (Panel Board Type/ Residential Unit Use), SURGE PROTECTIVE DEVICE, LOW VOLTAGE POWER CAPACITORS, SMART METER, INVERTER



Breaker & switchgears overseas sales dept.

3F, No.9, Sec. 1, Chang-an E. Rd., Zhongshan Dist., Taipei City 10441, Taiwan

T. +886-2-2541-9822 F. +886-2-2581-2665

e-mail. b.export@seec.com.tw

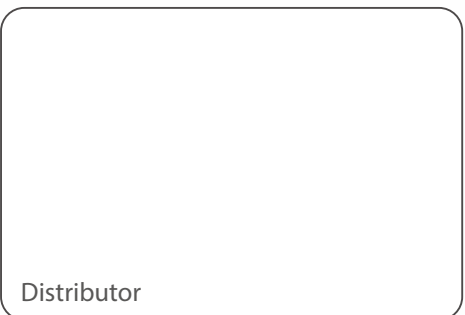
<http://circuit-breaker.seec.com.tw>

Headquarters

16F, No.88, Sec. 6, Zhongshan N. Rd., Shilin Dist., Taipei City 11155, Taiwan

T. +886-2-2834-2662 F. +886-2-2836-6187

<http://www.seec.com.tw>



Distributor

B210916E.JKR-SPD-OB